

# 4K Ultra-HD Network IR PTZ Dome Camera

IPC6248SR-X22



## Key Features

### Optics

- Accurate and fast focusing
- 22X Optical Zoom
- Fourth-generation infrared technology, more than 150m (492ft) IR distance
- IR anti-reflection window to increase the infrared transmittance
- Optical glass window with higher light transmittance
- Smart IR

### Compression

- 12 Megapixel image
- H.264 High Profile
- Triple streams
- Customized OSD

### Network

- Network auto-adaptability
- ONVIF Conformance

## Structure

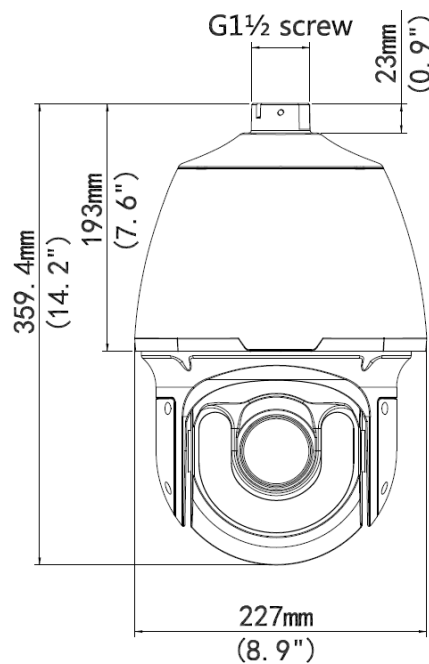
- Innovative snow-removing functionality
- Intelligent temperature control technology
- More effective heat dissipation system
- 6 KV surge protection designed for network interface

## Specifications

<b>Camera</b>	<b>IPC6248SR-X22</b>
Sensor	1/1.7" progressive scan, 12 megapixel, CMOS
Focus/Zoom	6.5~ 143 mm (22x optical zoom)
Angle of View (H)	72° (wide) ~ 3.07° (tele)
Iris	Auto/Manual, F1.5 ~ F3.4
Shutter	Auto/Manual, shutter time: 1/6 s ~ 1/8000 s
Minimum Illumination	Colour: 0.02 lux (F1.5, 50IRE) 0 lux with IR
S/N	>55 dB
Day/Night	IR-cut filter with auto switch (ICR)
<b>Video</b>	
Video Compression	H.264
Frame Rate	12MP (4000×3000): Max. 20 fps; 4K (3840×2160): Max. 30 fps
Video Streaming	Triple
OSD	Time OSD, custom OSD
Privacy Mask	Supported
<b>Audio</b>	
Audio Compression	G.711
Two-way Audio	Supported
<b>Storage</b>	
Edge Storage	Micro SD, up to 128 GB
<b>Network</b>	
Protocols	L2TP, IPv4, IGMP, ICMP, ARP, TCP, UDP, DHCP, RTP, RTSP, DNS, DDNS, NTP, FTP, UPnP, HTTP, SNMP, SIP
Compatible Integration	ONVIF, API
<b>Pan &amp; Tilt</b>	
Pan Range	360°
Pan Speed	0.1°/s ~ 240°/s
	Preset speed: 300°/s
Tilt Range	-15° ~ +90° (auto reverse)
Tilt Speed	0.1° ~ 160°/s
	Preset speed: 240°/s
Number of Preset	256
Patrol	Preset patrol, route patrol, recorded patrol

Home Position	Supported
<b>Interface</b>	
Audio I/O	Audio interface
	1 Input: impedance 35 k $\Omega$ ; amplitude 2 V [p-p]
	1 Output: impedance 600 $\Omega$ ; amplitude 2 V [p-p]
Alarm I/O	2 alarm inputs, 1 alarm output
Serial Port	1 RS485
Network	10M/100M Base-TX adaptive Ethernet
Video Output	1 BNC, impedance 75 $\Omega$ ; amplitude 1 V [p-p]
<b>General</b>	
Power	24 V AC $\pm$ 25% (default power supply), 24 V DC $\pm$ 25%
	Power consumption: 14 W ~ 48 W
	Overvoltage/overcurrent protection
Dimensions ( $\varnothing$ x H)	$\varnothing$ 227 mm x 359.4 mm ( $\varnothing$ 8.9" x 14.2")
Weight	5.5 kg (12.1 lb)
Working Environment	-40°C ~ +70°C (-40°F ~ 158°F), Humidity $\leq$ 90% RH(non-condensing)
Ingress Protection	IP66

## Dimensions



## Accessories

Installation mode	Accessories	Description
Pendant mount	TR-CE45-IN bracket	/
	Pendant components: TR-UF45-A-IN indoor ceiling plate TR-UF45-B-IN outdoor ceiling plate TR-SE45-IN pendant rod (200mm) TR-SE45-A-IN pendant rod (500mm)	Ceiling plate is optional with different pendant rod for various applications
Standing pole mount	Customized bracket	The interface is designed with internal G1½ screws. The screw depth must be more than 23 mm.
Wall mount	TR-WE45-IN bracket	/
Corner mount	TR-WE45-IN bracket + TR-UC08-A-IN bracket	/
Pole mount	TR-WE45-IN bracket + TR-UP08-A-IN bracket	/

**Zhejiang Uniview Technologies Co., Ltd.**

South Tower, Building 10, Wanlun Science Park, 88 Jiangling Road, Hangzhou, P.R.China 310051

Email: [overseasbusiness@uniview.com](mailto:overseasbusiness@uniview.com); [globalsupport@uniview.com](mailto:globalsupport@uniview.com)

<http://www.uniview.com>

©2015 Zhejiang Uniview Technologies Co., Ltd. All rights reserved.

\*Product specifications and availability are subject to change without notice.