

# 4K Ultra HD Vandal-resistant Fisheye Fixed Dome Camera

IPC868ER-VF18



## Key Features

### Optics

- Ultra wide angle lens, 360° panoramic image
- Embedded infrared light, 360° fill-in light, Up to 20 m (65 ft) IR distance
- 3D DNR (Digital Noise Reduction)

### Compression

- 4K, Max. 4000 \* 3000 resolution
- Built-in microphone & speaker, two-way talk supported
- Sextuple streams
- ROI (Region of Interest)
- Distortion correction supported

### Network

- ONVIF Conformance

### Structure

- Support PoE power supply

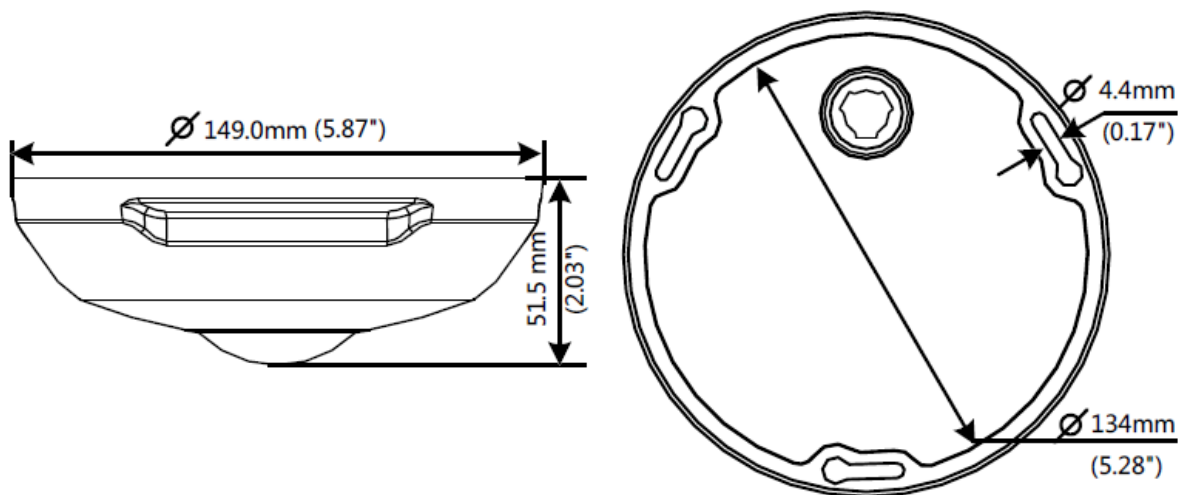
- Wide temperature range: -30°C to 60°C (-22°F to 140°F)
- Wide voltage range of  $\pm 25\%$
- IK10
- IP66

## Specifications

Camera	IPC868ER-VF18
Image sensor	1/1.7", 12 megapixel, progressive scan, CMOS
Focal Length	1.8mm
Aperture	F1.6
Shutter	Auto/Manual, shutter time: 1/6 s ~1/8000 s
Minimum Illumination	Colour: 0.06 Lux (F1.6, AGC ON) 0 Lux with IR
S/N Ratio	>55dB
Day / Night	IR-cut filter for day & night function
WDR	Digital WDR
<b>Video</b>	
Compression	H.264
Frame Rate	12MP (4000*3000): Max.20fps; 4K (3008*3000): Max.25fps
ROI(Region of Interest)	Supported
Maximum Streams	Sextuple streams (1 fisheye view, 1 panoramic view, 4 PTZ view)
OSD	Up to 8 OSD
Privacy Mask	Supported
<b>Audio</b>	
Audio Compression	G.711
Two-way audio	Supported
<b>Storage</b>	
Edge Storage	Micro SD, up to 128GB
<b>Network</b>	
Protocols	L2TP, IPv4, IGMP, ICMP, ARP, TCP, UDP, DHCP, PPPoE, RTP, RTSP, DNS, DDNS, NTP, FTP, UPnP, HTTP, HTTPS, SMTP, SNMP, SIP, QoS
Compatible Integration	ONVIF, API
<b>Interface</b>	
Audio I/O	Audio interface
	Input: impedance 35 k $\Omega$ ; amplitude 2 V [p-p]
	Output: impedance 600 $\Omega$ ; amplitude 2 V [p-p]
	1 built-in Microphone & 1 built-in Speaker
Alarm I/O	2 / 1
	Multiple Alarm linkage editable
Serial	1 channel RS485 interface

Network	10M/100M Base-TX Auto-adaptive Ethernet
Video Output	1 BNC, impedance 75 Ω; amplitude 1 V [p-p]
<b>General</b>	
Power	DC12V±25%, PoE (IEEE802.3at)
	Power consumption: Max. 21 W
Dimensions (∅ x H)	∅149mm x 51.5mm (∅5.87" x 2.03")
Weight	0.5kg(1.1lb)
Working Environment	-30°C~60°C (-22°F ~ 140°F), Humidity ≤ 95% RH
Vandal Resistant	IK10
Ingress Protection	IP66

## Dimensions



### Zhejiang Uniview Technologies Co.,Ltd.

South Tower, Building 10, Wanlun Science Park, 88 Jiangling Road, Hangzhou, P.R.China 310051

Email: [overseasbusiness@uniview.com](mailto:overseasbusiness@uniview.com); [globalsupport@uniview.com](mailto:globalsupport@uniview.com)

<http://www.uniview.com>

©2016 Zhejiang Uniview Technologies Co.,Ltd. All rights reserved.

\*Product specifications and availability are subject to change without notice.