

# 1080P Zoom Lens IR PTZ Camera

IPC742SR9-PZ30-32G



## Key Features

### PTZ

- Precision motor with accuracy deviation less than 0.1 degree.
- Pan range 250°, tilt range -50° to 50°
- Pan speed up to 30°/s, tilt speed up to 10°/s

### Optics

- Smart IR, up to 100m (328 ft) IR distance
- 2X Optical Zoom & Auto Focus
- IR anti-reflection window to increase the infrared transmittance
- Day/night functionality

### Compression

- H.265, H.264, MJPEG
- Embedded smart algorithm
- Triple streams
- Customized OSD

### Network

- ONVIF Conformance

### Structure

- Support PoE power supply
- Wide temperature range: -35°C to +60°C (-31°F to +140°F)
- Wide voltage range of ±25%

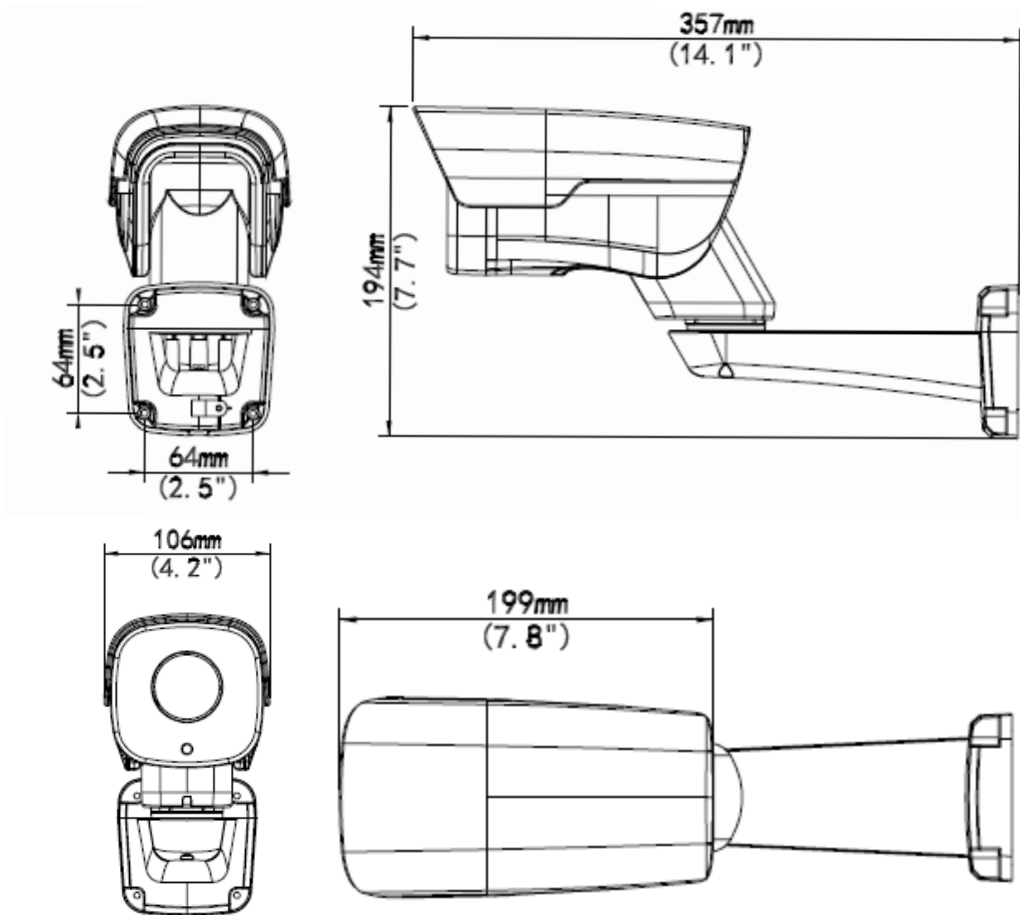
- IP66

## Specifications

<b>Camera</b>	IPC742SR9-PZ30-32G
Sensor	1/2.8", 2 megapixel, progressive scan CMOS
Lens	3 ~ 6 mm, 2X optical zoom, 16X digital zoom
Iris	Auto/Manual, F1.8
Shutter	Auto/Manual, 1/6s ~ 1/8000s
Minimum Illumination	Color: 0.02 Lux (F1.8, AGC ON) 0 Lux with IR on
Day/Night	IR-cut filter with auto switch (ICR)
IR	100m (328 ft) IR range
S/N	>52dB
WDR	Digital
Noise Reduction	2D/3D
<b>Video</b>	
Max. Resolution	1920×1080
Video Compression	H.265, H.264, MJPEG
Frame Rate	1080P (1920×1080): Max. 30 fps, 720P(1280×720): Max. 30 fps
Video Streaming	Triple streams
OSD	Up to 8 OSDs
ROI	Supported
Privacy Mask	Up to 4 areas
<b>Smart</b>	
Behavior Detection	Intrusion, crossing line, motion detection
Exception Detection	Audio detection
Intelligent Identification	Face detection
Statistical Analysis	People counting
<b>Audio</b>	
Audio Compression	G.711
Two-way Audio	Supported
<b>Storage</b>	
Edge Storage	Built-in 32 GB eMMC
<b>Network</b>	
Protocol	L2TP, IPv4, IGMP, ICMP, ARP, TCP, UDP, DHCP, PPPoE, RTP, RTSP, RTCP, DNS, DDNS, NTP, FTP, UPnP, HTTP, HTTPS, SMTP, SIP, 802.1x
Compatibility	ONVIF, API
<b>Structure</b>	
Pan Range	250°
Pan Speed	0.1°/s ~ 30°/s
	Preset speed: 30°/s

Tilt Range	-50° ~ 50°
Tilt Speed	0.1°/s ~ 10°/s
	Preset speed: 10°/s
Number of Presets	400
Patrol	Up to 16 patrols, up to 32 presets per patrol <b>Note:</b> <i>The total number of patrols and patterns is 16.</i>
<b>Interface</b>	
Audio I/O	3.5 mm connector
	Input: impedance 35 kΩ; amplitude 2 V [p-p]
	Output: impedance 600 Ω; amplitude 2 V [p-p]
Alarm I/O	2 / 1
Network	10M/100M adaptive Ethernet
<b>General</b>	
Power	12 V DC±25%, PoE (IEEE802.3at)
	Power consumption: Max. 17.23 W
Dimensions	357 mm × 106 mm × 194 mm (14.1" × 4.2" × 7.7")
Weight	1.16 kg (2.6 lb)
Working Environment	-35°C to +60°C (-31°F to 140°F), ≤ 95% RH
Ingress Protection	IP66

## Dimensions



## Accessories

Installation mode	Accessories	Description
Wall mount	\	Mounting pedestal is included in the Product package
Ceiling mount	\	Mounting pedestal is included in the Product package

### Zhejiang Uniview Technologies Co., Ltd.

South Tower, Building 10, Wanlun Science Park, 88 Jiangling Road, Hangzhou, P.R.China 310051

Email: [overseasbusiness@uniview.com](mailto:overseasbusiness@uniview.com); [globalsupport@uniview.com](mailto:globalsupport@uniview.com)

<http://www.uniview.com>

©2016 Zhejiang Uniview Technologies Co., Ltd. All rights reserved.

\*Product specifications and availability are subject to change without notice.