

2MP Starlight Fixed Bullet Network Camera

IPC2222SR5-UPF40 (60)-B



Key Features

Optics

- Starlight illumination
- Day/night functionality
- Smart IR , up to 50 m (164 ft) IR distance
- IR anti-reflection window to increase the infrared transmittance
- 3D DNR (Digital Noise Reduction)

Compression

- H.265, H.264, MJPEG
- Embedded smart algorithm
- Triple streams
- ROI (Region of Interest)
- 9:16 corridor format

Network

- ONVIF Conformance

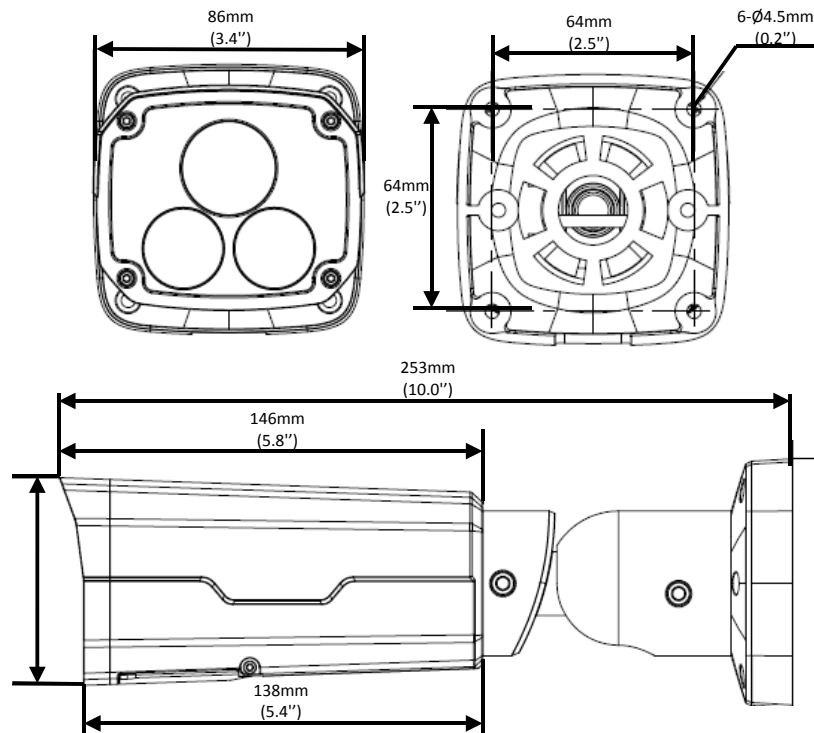
Structure

- Wide temperature range: -35°C to 60°C (-31°F to 140°F)
- Wide voltage range of $\pm 25\%$
- IP66

Specifications

	IPC2222SR5-UPF40-B	IPC2222SR5-UPF60-B
Camera		
Sensor	1/2.9", 2.0 megapixel, progressive scan CMOS	
Lens	4.0mm@F1.6 Angle of view(H): 76.6°	6.0mm@F1.6 Angle of view(H): 51.6°
Shutter	Auto/Manual, 1/6~1/100000 s	
Min. Illumination	Colour: 0.002 Lux (F1.6, AGC ON) 0 Lux with IR on	
Day/Night	IR-cut filter with auto switch (ICR)	
IR Range	Up to 50m (164 ft) IR range	
S/N	>52dB	
WDR	Digital	
Noise Reduction	2D/3D	
Video		
Max. Resolution	1920×1080	
Video Compression	H.265, H.264, MJPEG	
Frame Rate	1080P (1920*1080): Max. 30 fps; 720P (1280*720): Max. 30 fps	
Video Streaming	Triple	
9:16 Corridor Mode	Supported	
ROI	Supported	
OSD	Up to 8 OSDs	
Privacy Mask	Up to 8 areas	
Smart		
Behavior Detection	Intrusion, crossing line, motion detection	
Intelligent Identification	Face detection	
Statistical Analysis	People counting	
Storage		
Edge Storage	Micro SD, up to 128 GB	
Network		
Protocols	L2TP, IPv4, IGMP, ICMP, ARP, TCP, UDP, DHCP, PPPoE, RTP, RTSP, RTCP, DNS, DDNS, NTP, FTP, UPnP, HTTP, HTTPS, SMTP, SIP, 802.1x	
Compatible Integration	ONVIF, API	
Interface		
Network	1 RJ45 10M/100M Base-TX Ethernet	
General		
Power	12 V DC, or PoE (IEEE802.3 af)	
	Power consumption: Max 9 W	
Dimensions (L × W × H)	253.4 ×86 ×71.7 mm (9.98" × 3.4" × 2.8")	
Weight	0.58kg (1.28lb)	
Working Environment	-35°C ~ +60°C (-31°F ~ 140°F), Humidity ≤ 95% RH(non-condensing)	
Ingress Protection	IP66	

Dimensions



Accessories

Installation mode	Accessories	Description
Wall mount	\	Mounting pedestal is included in the Product package
Ceiling mount	\	Mounting pedestal is included in the Product package
Pole mount	TR-UP06-A-IN TR-JB07-IN junction box + TR-UP06-IN TR-JB07-A-IN junction box + TR-UP06-IN	TR-A01-IN waterproof joint for junction is optional

Zhejiang Uniview Technologies Co., Ltd.

Building No.10, Wanlun Science Park, Jiangling Road 88, Binjiang District, Hangzhou, Zhejiang, China (310051)

Email: overseasbusiness@uniview.com; globalsupport@uniview.com

<http://www.uniview.com>

©2016 Zhejiang Uniview Technologies Co., Ltd. All rights reserved.

*Product specifications and availability are subject to change without notice.