

2MP Starlight Laser IR Network PTZ Dome Camera

IPC6252SL-X33UP



Key Features

Optics

- Starlight illumination
- 33x optical zoom
- Accurate and fast focusing
- IR anti-reflection window to increase the infrared transmittance
- Optical glass window with higher light transmittance
- Smart IR, 30m(98ft) IR distance
- Vari-focal laser: 30m to 500m(1640ft) distance, proportional to optical zoom of camera module

Compression

- H.265, H.264, MJPEG
- Embedded smart algorithm
- Triple streams
- Customized OSD

Network

- ONVIF Conformance

Structure

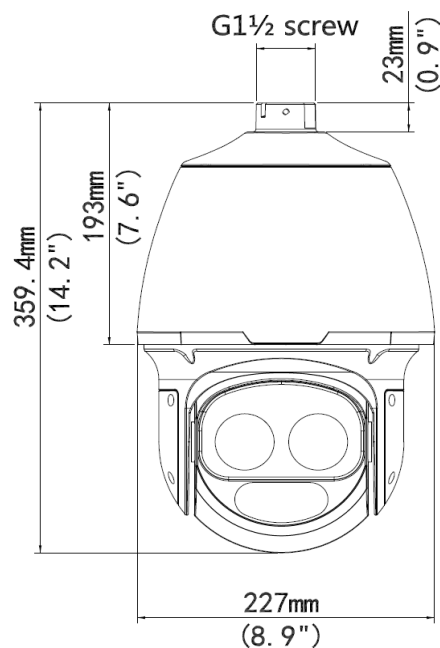
- Special structure and window design to battle bad weather (especially in dusty weather)
- Innovative snow-removing functionality
- Intelligent temperature control technology
- More effective heat dissipation system
- 6 KV surge protection designed for network interface

Specifications

IPC6252SL-X33UP	
Camera	
Sensor	1/2.8" progressive scan, 2 megapixel, CMOS
Focus/Zoom	4.5 ~ 148.5 mm (33x optical zoom)
Angle of View(H)	62.93° (wide)~3.67° (tele)
Iris	Auto/Manual, F1.6 ~ F5.3
Shutter	Auto/Manual, shutter time: 1/6 s ~ 1/100000 s
Min. Illumination	Colour: 0.002 lux (F1.6, 50IRE) 0 lux with IR
S/N	>52dB
Day/Night	IR-cut filter with auto switch (ICR)
WDR	120 dB
Video	
Video Compression	H.265, H.264, MJPEG
Frame Rate	1080P (1920×1080):Max.60 fps; 720P (1280×720):Max.30 fps; D1 (720×576):Max.15 fps
Video Streaming	Triple
OSD	Time, custom, preset, PTZ coordinates, zoom, serial port, cardinal direction, network interface
Privacy Mask	Up to 8 areas
Smart	
Behavior Detection	Intrusion, crossing line, motion detection
Exception Detection	Audio detection
Intelligent Identification	Face detection
Statistical Analysis	People counting
Audio	
Audio Compression	G.711
Two-way Audio	Supported
Storage	
Edge Storage	Micro SD, up to 128 GB
Network	
Protocols	L2TP, IPv4, IGMP, ICMP, ARP, TCP, UDP, DHCP, PPPoE, RTP, RTSP, RTCP, DNS, DDNS, NTP, FTP, UPnP, HTTP, HTTPS, SMTP, SIP, 802.1x
Compatible Integration	ONVIF, API

Pan & Tilt	
Pan Range	360°
Pan Speed	0.1°/s ~ 240°/s
	Preset speed: 300°/s
Tilt Range	-15° ~ +90° (auto reverse)
Tilt Speed	0.1° ~ 160°/s
	Preset speed: 240°/s
Number of Preset	256
Patrol	Preset patrol, route patrol, recorded patrol
Home Position	Supported
Interface	
Audio I/O	Audio interface
	1 Input: impedance 35 kΩ; amplitude 2 V [p-p]
	1 Output: impedance 600 Ω; amplitude 2 V [p-p]
Alarm I/O	1 / 1
Network	10M/100M Base-TX adaptive Ethernet network interface
Reset Button	Supported
General	
Power	24 V AC±25% (default power supply), 24V DC±25%, PoE (PSE Required)
	Power consumption: 8 W ~ 47 W
Dimensions (∅ x H)	∅227 mm x 359.4 mm (∅8.9" x 14.2")
Weight	5.6 kg (12.3 lb)
Working Environment	-40°C ~ +70°C (-40°F ~ 158°F), Humidity ≤ 95% RH(non-condensing)
IR	Built-in VF laser IR
Ingress Protection	IP66

Dimensions



Accessories

Installation mode	Accessories	Description
Pendant mount	TR-CE45-IN bracket	/
	Pendant components: TR-UF45-A-IN ceiling plate TR-SE45-IN pendant rod (200mm) TR-SE45-A-IN pendant rod (500mm)	Ceiling plate is optional with different pendant rod for various applications
Standing pole mount	Customized bracket	The interface is designed with internal G1½ screws. The screw depth must be more than 23 mm.
Wall mount	TR-WE45-IN bracket, TR-WE45-A-IN bracket	TR-JB12-IN junction box can be used with TR-WE45-A-IN
Corner mount	TR-WE45-IN bracket + TR-UC08-A/B-IN TR-WE45-A-IN bracket + TR-UC08-A/B-IN	
Pole mount	TR-WE45-IN bracket + TR-UP08-A/B-IN TR-WE45-A-IN bracket + TR-UP08-A/B-IN	
PoE Power	Accessories	Description
PSE Adapter	PWR-DC5611-P	PSE Adapter (60W) configuration is needed.

Zhejiang Uniview Technologies Co., Ltd.

South Tower, Building 10, Wanlun Science Park, 88 Jiangling Road, Hangzhou, P.R.China 310051

Email: overseasbusiness@uniview.com; globalsupport@uniview.com

<http://www.uniview.com>

©2016 Zhejiang Uniview Technologies Co., Ltd. All rights reserved.

*Product specifications and availability are subject to change without notice.