

4MP Network IR Fixed Dome Camera

IPC3614SR3-DPF28 (36) (60) M



Key Features

Optics

- Day/night functionality
- Up to 120 dB WDR (Wide Dynamic Range)
- Smart IR, up to 30 m (98 ft) IR distance

Compression

- H.265, H.264, MJPEG
- Embedded smart algorithm
- Triple streams
- 9:16 corridor format

Network

- ONVIF Conformance

Structure

- Wide temperature range: -35°C to 60°C (-31°F to 140°F)
- Wide voltage range of $\pm 25\%$
- 4 KV surge protection designed for network interface

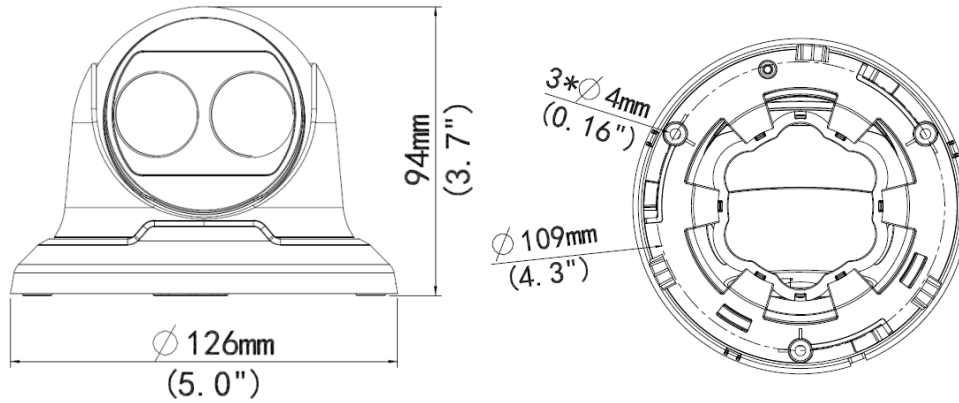
- IP66

Specifications

| | IPC3614SR3-DPF28M | IPC3614SR3-DPF36M | IPC3614SR3-DPF60M |
|----------------------------|----------------------------------------------------------------------------------------------------------------------------|---------------------------------------|-------------------------------------|
| Camera | | | |
| Sensor | 1/3", 4 megapixel, progressive scan, CMOS | | |
| Lens | 2.8mm@F1.8 Angle of view(H): 101.8° | 3.6mm@F1.8 Angle of view(H): 76.8° | 6mm@F1.8 Angle of view(H): 49.4° |
| Adjustment Range | Pan: 0° ~360°, Tilt: 0° ~ 77°, Rotation: 0° ~ 360° | | |
| Min. Illumination | Colour: 0.02 Lux (F1.8, AGC ON) 0 Lux with IR | | |
| Shutter | Auto/Manual, 1/6~1/100000 s | | |
| Day/Night | IR-cut filter with auto switch (ICR) | | |
| IR | 30m (98 ft) IR range | | |
| AWB(Auto white balance) | Auto/manual | | |
| Gain Control | Auto/manual | | |
| WDR | 120 dB | | |
| Noise Reduction | 2D/3D | | |
| Video | | | |
| Max. Resolution | 2592×1520 | | |
| Video Compression | H.265, H.264, MJPEG | | |
| Frame Rate | 4MP (2592×1520): Max. 20 fps; 4MP (2560×1440): Max. 25 fps 3MP (2048×1520): Max. 30 fps; 1080P (1920×1080): Max. 30 fps | | |
| Video Streaming | Triple | | |
| OSD | Up to 8 OSDs | | |
| 9:16 Corridor Mode | Supported | | |
| Motion Detection | Up to 2 areas | | |
| Privacy Mask | Up to 8 areas | | |
| Smart | | | |
| Behavior Detection | Intrusion, crossing line, motion detection | | |
| Intelligent Identification | Face detection | | |
| Statistical Analysis | People counting | | |
| Network | | | |
| Protocols | L2TP, IPv4, IGMP, ICMP, ARP, TCP, UDP, DHCP, PPPoE, RTP, RTSP, RTCP, DNS, DDNS, NTP, FTP, UPnP, HTTP, HTTPS, SMTP, 802.1x | | |
| Compatible Integration | ONVIF, API | | |
| Interface | | | |
| Network | 10M/100M Base-TX Ethernet | | |
| General | | | |
| Power | 12 V DC, or PoE (IEEE802.3 af) | | |
| | Power consumption: Max 5.5 W | | |
| Dimensions (Ø x H) | Ø126 x 94 mm (Ø5.0" x 3.7") | | |

| | |
|----------------------|------------------------------------------------------------------|
| Weight | 0.45 kg (0.99 lb) |
| Operating Conditions | -35°C ~ +60°C (-31°F ~ 140°F), Humidity ≤ 95% RH(non-condensing) |
| Ingress Protection | IP66 |

Dimensions



Zhejiang Uniview Technologies Co.,Ltd.

South Tower, Building 10, Wanlun Science Park, 88 Jiangling Road, Hangzhou, P.R.China 310051

Email: overseasbusiness@uniview.com; globalsupport@uniview.com

<http://www.uniview.com>

©2016 Zhejiang Uniview Technologies Co.,Ltd. All rights reserved.

*Product specifications and availability are subject to change without notice.