

# 2MP 20x IR Network PTZ Dome Camera

IPC6222ER-X20(P)-B



## Key Features

### Optics

- Accurate and fast focusing
- The third-generation infrared technology
- Smart IR, up to 150 m (492ft) IR distance
- Optical glass window with higher light transmittance
- IR anti-reflection window to increase the infrared transmittance

### Compression

- H.265, H.264, MJPEG
- Embedded smart algorithm
- Triple streams
- Customized OSD

### Network

- ONVIF Conformance

### Structure

- Special structure and window design to battle bad weather (especially in dusty weather)
- Innovative snow-removing functionality

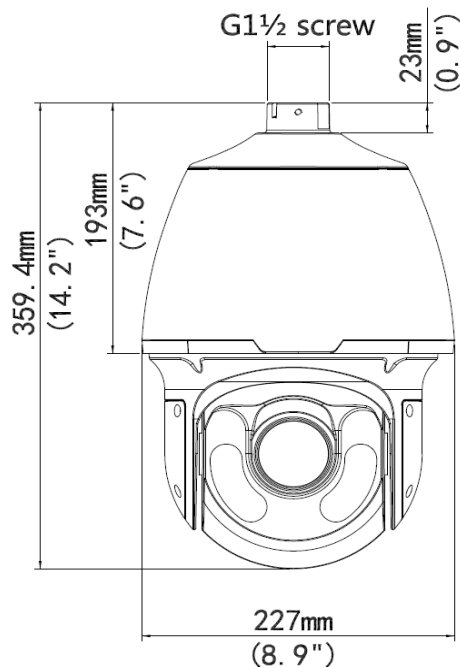
- More effective heat dissipation system
- Intelligent temperature control technology
- 6 KV surge protection designed for network interface

## Specifications

	IPC6222ER-X20-B	IPC6222ER-X20P-B
<b>Camera</b>		
Sensor	1/3", 2megapixel, progressive scan, CMOS	
Lens	5.2 ~ 104 mm (20x optical zoom)	
Angle of View (H)	61.9° (wide) ~ 3.5° (tele)	
Shutter	Auto/Manual; shutter time: 1/6 s ~ 1/100000 s	
Minimum Illumination	Colour: 0.03 lux (F1.6, AGC ON) 0 lux with IR	
Iris	Auto/Manual; F1.5 ~ F3.0	
Day/Night	IR-cut filter with auto switch (ICR)	
S/N	>52dB	
WDR	Digital WDR	
<b>Video</b>		
Max. Resolution	1920 × 1080	
Video Compression	H.265, H.264, MJPEG	
Frame Rate	1080P (1920×1080):Max.30 fps; 720P (1280×720):Max.30 fps; D1 (720×576):Max.25 fps	
Video Streaming	Triple	
HLC	Supported	
OSD	Up to 8 OSDs	
Privacy Mask	Up to 8 areas	
Digital Zoom	Supported	
<b>Smart</b>		
Behavior Detection	Intrusion, crossing line, motion detection	
Exception Detection	Audio detection	
Intelligent Identification	Face detection	
Statistical Analysis	People counting	
<b>Audio</b>		
Audio Compression	G.711	
Two-way audio	Supported	
<b>Storage</b>		
Edge Storage	Micro SD, up to 128 GB	
<b>Network</b>		
Protocols	L2TP, IPv4, IGMP, ICMP, ARP, TCP, UDP, DHCP, PPPoE, RTP, RTSP, RTCP, DNS, DDNS, NTP, FTP, UPnP, HTTP, HTTPS, SMTP 802.1x	
Compatible Integration	ONVIF, API	
<b>Pan &amp; Tilt</b>		
Pan Range	360° (endless)	

Pan Speed	0.1°/s ~ 240°/s	
	Preset speed: 300°/s	
Tilt Range	-15° ~ +90° (auto reverse)	
Tilt Speed	0.1° ~ 160°/s	
	Preset speed: 240°/s	
Number of Presets	256	
Patrol	Up to 16 patrols, up to 32 presets per patrol <b>Note:</b> The total number of patrols and patterns is 16.	
Pattern	Up to 16 patterns, with the total recording time not less 15 minutes per pattern	
<b>Interface</b>		
Audio I/O	Audio cable	
	Input: impedance 35 kΩ; amplitude 2 V [p-p]	
	Output: impedance 600 Ω; amplitude 2 V [p-p]	
Alarm I/O	1/ 1	
Network	10M/100M Base-TX Ethernet	
<b>General</b>		
Power	24 V AC, 24 V DC	24 V AC, 24 V DC, PoE (PSE Required)
	Power consumption: 9 ~ 42W	
Dimensions(ØxH)	Ø227x359.4 mm (Ø8.9" x 14.2")	
Weight	5.28 kg (11.6lb)	
Working Environment	-40°C ~ +65°C (-40°F ~ 149°F), Humidity ≤ 95% RH(non-condensing)	
Ingress Protection	IP66	

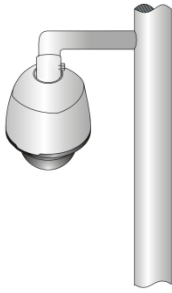
## Dimensions



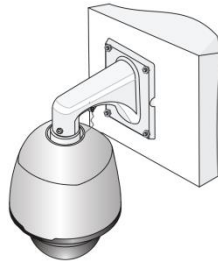
## Installation



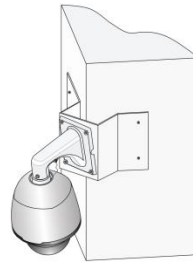
Pendant mount



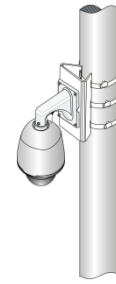
Standing pole mount



Wall mount



Corner mount



Pole mount

## Accessories

Installation mode	Accessories	Description
Pendant mount	TR-CE45-IN bracket	/
	Pendant components: TR-UF45-A-IN ceiling plate TR-SE45-IN pendant rod (200mm) TR-SE45-A-IN pendant rod (500mm)	Ceiling plate is optional with different pendant rod for various applications
Standing pole mount	Customized bracket	The interface is designed with internal G1½ screws. The screw depth must be more than 23 mm.
Wall mount	TR-WE45-IN bracket	/
Corner mount	TR-WE45-IN bracket +TR-UC08-A-IN bracket	/
Pole mount	TR-WE45-IN bracket +TR-UP08-A-IN bracket	/
PoE Power	Accessories	Description
PSE Adapter	PWR-DC5611-P	PSE Adapter (60W) configuration is needed.

### Zhejiang Uniview Technologies Co., Ltd.

South Tower, Building 10, Wanlun Science Park, 88 Jiangling Road, Hangzhou, P.R.China 310051

Email: [overseasbusiness@uniview.com](mailto:overseasbusiness@uniview.com); [globalsupport@uniview.com](mailto:globalsupport@uniview.com)

<http://www.uniview.com>

©2016 Zhejiang Uniview Technologies Co., Ltd. All rights reserved.

\*Product specifications and availability are subject to change without notice.