

# 4K Ultra HD Vandal-resistant Fisheye Fixed Dome Camera

IPC868ER-VF18-B



## Key Features

### Optics

- Ultra wide angle lens, 360°panoramic image
- Embedded infrared light, 360°fill-in light, Up to 10 m (33 ft) IR distance
- 2D/3D DNR (Digital Noise Reduction)

### Compression

- Max. 4000 \* 3000 resolution
- Ultra265,H.265, H.264, MJPEG
- Built-in microphone & speaker, two-way talk supported
- ROI (Region of Interest)
- Distortion correction supported

### Network

- ONVIF Conformance

### Structure

- Support PoE power supply
- Wide temperature range: -30°C to 60°C (-22°F to 140°F)

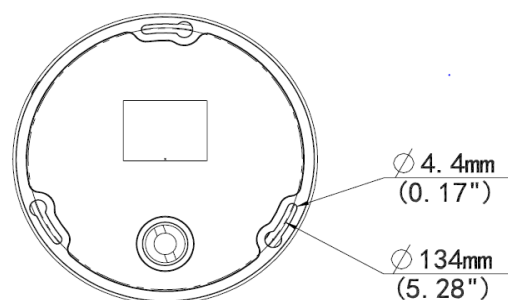
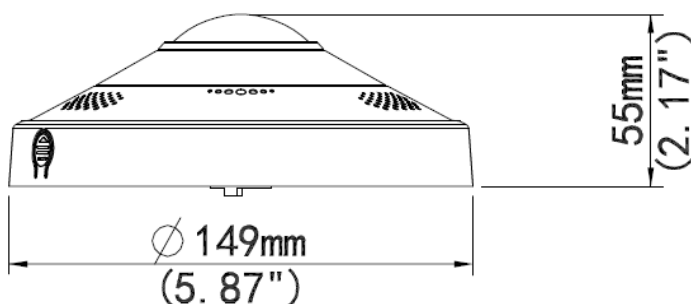
- Wide voltage range of  $\pm 25\%$
- IK10
- IP66

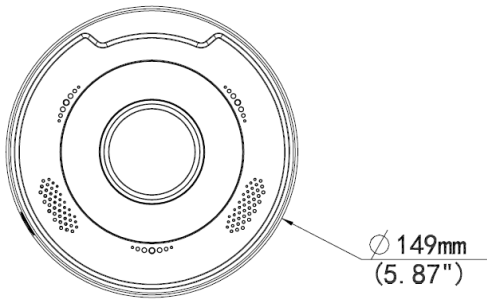
## Specifications

	IPC868ER-VF18-B
<b>Camera</b>	
Image sensor	1/1.7", progressive scan, 12.0 megapixel, CMOS
Lens	1.8mm@ F2.4
Shutter	Auto/Manual, shutter time: 1/6 s ~ 1/100000 s
Minimum Illumination	Colour: 0.01 Lux (F2.4, AGC ON) 0 Lux with IR
Day / Night	IR-cut filter for day & night function
Digital noise reduction	2D/3D DNR
S/N Ratio	>52dB
IR Range	Up to 10 m (33 ft)
Defog	Digital Defog
WDR	DWDR
<b>Video</b>	
Compression	Ultra265, H.265, H.264, MJPEG
H.264 code profile	Baseline profile, Main Profile, High Profile
Fisheye Frame Rate	Main Stream : 15 fps(4000×3000, 3000×3000), 25 fps(2560×2560); Sub Stream: 15 fps(2000×1500, 2000×2000), 25 fps(2000×2000); Third Stream: 15 fps(720×576, 320×288)
Panorama	25 fps(3000×2000); 15 fps(4000×3000, 3000×2000, 3000×1500)
Frame Rate PTZ	15 fps(1920×1080)
ROI	Up to 8 areas
BLC	Supported
OSD	Up to 8 OSDs
Privacy Mask	Up to 8 areas
Motion Detection	Up to 4 areas
<b>Audio</b>	
Audio Compression	G.711
Two-way audio	Supported
Suppression	Supported
Sampling Rate	8 KHZ
<b>Storage</b>	
Edge Storage	Micro SD, up to 128GB
Network Storage	ANR
<b>Network</b>	
Protocols	IPv4, IGMP, ICMP, ARP, TCP, UDP, DHCP, PPPoE, RTP, RTSP, RTCP, DNS, DDNS, NTP, FTP, UPnP, HTTP, HTTPS, SMTP, 802.1x, SNMP

Compatible Integration	ONVIF(Profile S, Profile G), API
<b>Live View Display</b>	
Mount Type	Support table, wall, and ceiling
Display Mode	Support 10 display modes in total (including display modes of mount types and decoding modes): Display Mode:Original Image, Fisheye+4PTZ, Panoramic Preview Mode: Original Image , 360° Panoramic+1PTZ, 180° Panoramic, Fisheye+3PTZ , Fisheye+4PTZ, 360° Panoramic+6PTZ, Fisheye+8PTZ
<b>Interface</b>	
Audio I/O	Audio interface
	Input: impedance 35 k $\Omega$ ; amplitude 2 V [p-p]
	Output: impedance 600 $\Omega$ ; amplitude 2 V [p-p]
Alarm I/O	2 / 1
	Multiple Alarm linkage editable
Built-in Mic	Supported
Built-in Speaker	Supported
Serial	1 channel RS485 interface
Network	1 RJ45 10M/100M Base-TX Auto-adaptive Ethernet
Video Output	1 BNC, impedance 75 $\Omega$ ; amplitude 1 V [p-p]
<b>General</b>	
Power	DC12V $\pm$ 25%, PoE (IEEE802.3af)
	Power consumption: Max. 21W
Dimensions ( $\varnothing$ x H)	$\varnothing$ 149mm x 55mm ( $\varnothing$ 5.87" x 2.17")
Weight	0.5kg(1.1lb)
Working Environment	-35 $^{\circ}$ C $\sim$ 60 $^{\circ}$ C (-31 $^{\circ}$ F $\sim$ 140 $^{\circ}$ F), Humidity :10% $\sim$ 90% RH
Ingress Protection	IP66
Vandal Resistant	IK10
Reset Button	Supported

## Dimensions





Installation mode	Accessories	Description
Ceiling mount	Mounting pedestal is included in the product package	TR-UM06-C-IN junction box and TR-A01-IN waterproof joint for the junction is optional
		TR-JB04-A-IN junction box and TR-A01-IN waterproof joint for the junction is optional
Wall mount	TR-JB07/WM04-IN	For outdoor wall installation, excluding junction box
	TR-JB07/WM04-A-IN	For outdoor wall installation, including junction box TR-A01-IN waterproof joint for the junction is optional
Pole mount	TR-WM03-A-IN +TR-UP06-IN	For indoor wall installation, excluding junction box
	T TR-JB07/WM04-A-IN (Or TR-WM04-IN)+TR-UP06-IN	For indoor wall installation, including junction box
	TR-UF45-F-IN+TR-CE45-IN	For indoor wall installation, including junction box

**Zhejiang Uniview Technologies Co.,Ltd.**

South Tower, Building 10, Wanlun Science Park, 88 Jiangling Road, Hangzhou, P.R.China 310051

Email: [overseasbusiness@uniview.com](mailto:overseasbusiness@uniview.com); [globalsupport@uniview.com](mailto:globalsupport@uniview.com)

<http://www.uniview.com>

©2017 Zhejiang Uniview Technologies Co.,Ltd. All rights reserved.

\*Product specifications and availability are subject to change without notice.